

# DR-6 D

## DR-6 RING MAIN UNIT with VA-3 vacuum circuit breaker

### Compact and/or extensible Ring Main Unit

#### KEY FEATURES:

- Complete switching device for distribution switchgear
- Available in a wide spectrum of possibilities
- Vacuum interrupters of the latest generation
- Great withstand to extreme temperatures
- Mechanical spring drive with exceptional longevity
- Maintenance-free

#### Characteristics of the VA-3:

- State of the art vacuum interrupters
- Spring drive mechanism
- Developed and manufactured in line with the ISO9001 standards
- IEC Type tested at KEMA, according the latest IEC 62271-100

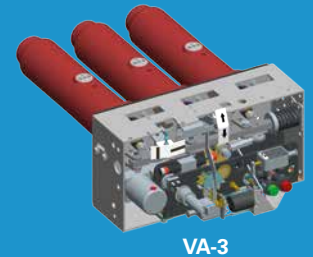
#### Electrical specifications:

Rated voltage (kV)	12	17,5	24
Rated current (A)	630	630	630
Rated short circuit current (kA)	25	25	20
Rated peak short circuit current (kA)	63	63	50
Time of short circuit current (s)	1	1	1
Power frequency voltage 1min (kV)	28	38	50
Impulse withstand voltage (kV)	75	95	125
Internal arc classification: 1. AFL 20kA-1s 2. Option arc killer DR-6+: BFLR 20kA-1s			

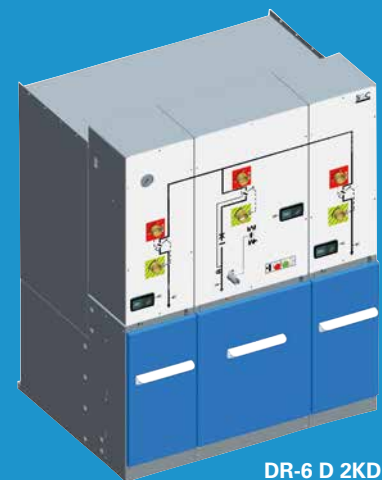


DR-6 2E D

- Option: sight glasses in cable compartment access door
- With integrated digital protection relay RP600



VA-3



DR-6 D 2KD



# SGC

SwitchGear Company

THE SPECIALIST IN MEDIUM VOLTAGE SWITCHGEAR

www.switchgearcompany.eu - info@switchgearcompany.eu

# DR-6 D - RMU type DR-6 with VA-3

This vacuum circuit breaker of the spring mechanism type, is an extremely compact circuit breaker which is made for intergration in switchgears type Ring Main Unit and synonymous with high reliability and safety. The VA-3 concept offers the security and reliability with a large spectrum of possibilities in the range from 12 to 24 kV.

The vacuum circuit breaker is available in two main versions:

- VA-3 CO
- VA-3 0-0,3s-CO-15s-CO

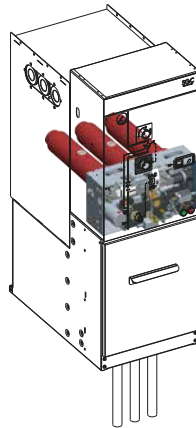
Other possible configurations of RMU type DR-6 D with integrated vacuum circuit breaker:

**Extensible\* RMU:**

- DR-6 2E D
- DR-6 E 2KD
- DR-6 E KD
- DR-6 E 2D
- DR-6 E 3D
- DR-6 E 2K2D
- DR-6 E 3KD
- DR-6 LU D

**Compact RMU:**

- DR-6 C KD
- DR-6 C 2KD
- DR-6 C 2D
- DR-6 C 3D
- DR-6 C 2K2D
- DR-6 C 3KD

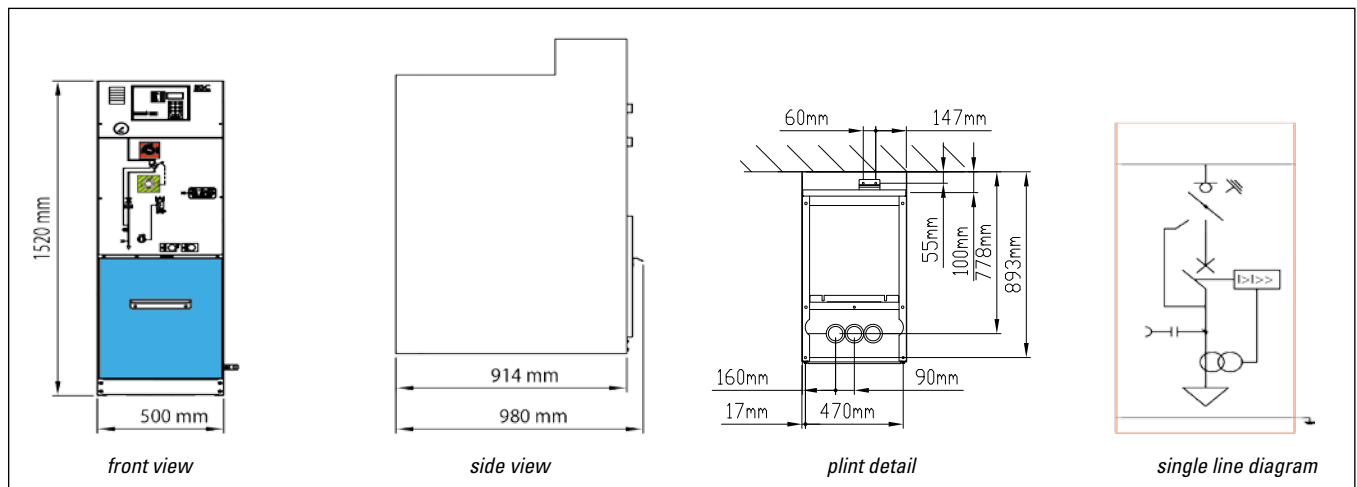


## DR-6 D key features:

- Compact design
- Solid interlocks
- Ease of use
- No emmission of SF<sub>6</sub> in case of internal arc due to the patented Arc-killer
- Long life expectancy



- \* 2E = both sides extensible
- \* E = extensible on right hand side (left hand side optional)
- \* LU = bushing direct on busbar for cable feeder



**SGC nv**

Moorstraat 24 - 9850 Nevele  
Belgium

☎ +32 (0)9/321.91.12

[www.switchgearcompany.eu](http://www.switchgearcompany.eu)

[info@switchgearcompany.eu](mailto:info@switchgearcompany.eu)



**SGC - SwitchGear Company nv.**

**Medium voltage switchgear, built to last.**

SGC - SwitchGear Company nv has been supplying reliable products for electrical distribution for more than 35 years. Innovative ideas and environmental care are the driving forces behind SGC - SwitchGear Company nv. The development of complete solutions consists of a minimum number of components, all of which have an exceptional life span. SGC - SwitchGear Company nv stands for exceptional quality and superior customer care. Your desired specifications and deadlines are our main concern. An exclusive factory and highly automated production lines are key factors in our "state of the art" components and systems. It enables us to develop switchgear such as DF-2, DR-6/DT-6, DF-3, DI-2, SI-2 and DW-2 to the highest quality standards. When it comes to delivery times, prices and products SGC - SwitchGear Company nv delivers.

**THE SPECIALIST IN MEDIUM VOLTAGE SWITCHGEAR**