

DR-6⁽⁺⁾E

EXTENSIBLE RING MAIN UNIT

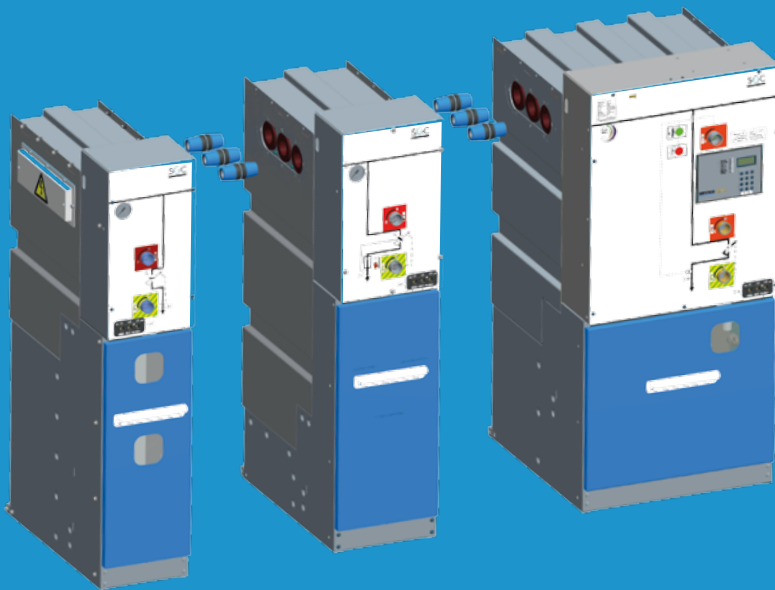
Extensible SF₆ insulated Ring Main Unit

THE EXTENSIBILITY CONCEPT:

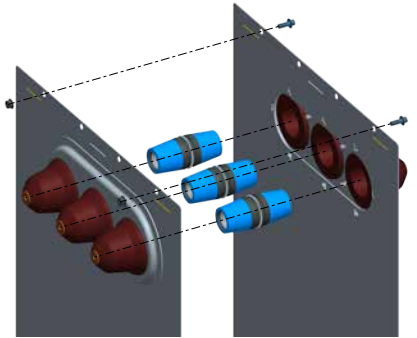
Extensibility of the electrical switchgear DR-6 is ensured by side placed feed through connectors directly connected on the busbar. The electrical switchgear can be extended with an extension cubicle which enables a high modularity with "building blocks". The combinations of cubicles is unlimited.

Extension requires no special tooling nor special on site conditions.

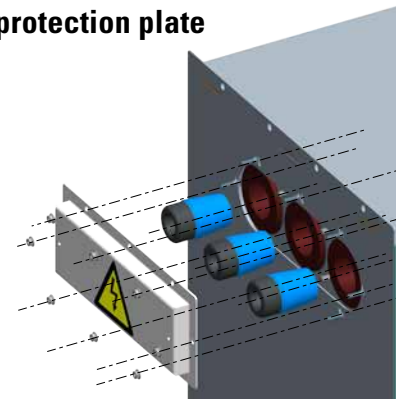
The extension bushing has been directly molded on a stainless steel plate which is welded on the side plate, to avoid any risk of leakage caused by mechanical assembly.



Extension connectors



Dummy plugs with protection plate



SGC

SwitchGear Company

THE SPECIALIST IN MEDIUM VOLTAGE SWITCHGEAR

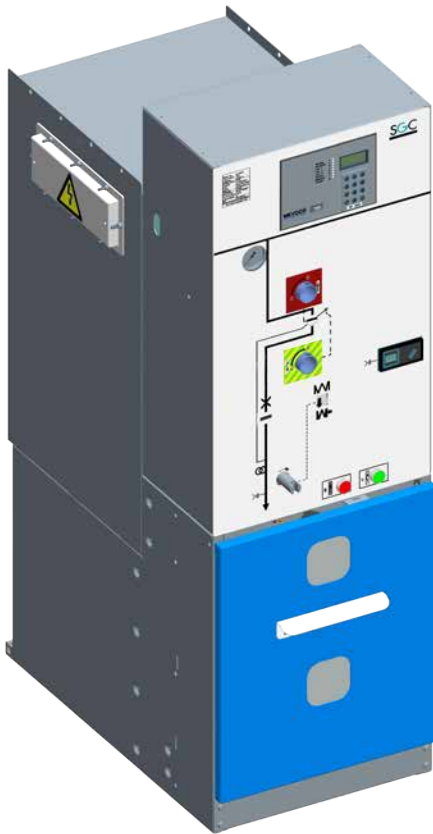


DR-6⁽⁺⁾E - Extensible RMU type DR-6

The extension bushing meets the highest technical standards. Due to the design with a single copper connector which limits the temperature rise. The connector is designed so that small variations between adjacent switchgear are compensated by a tulip shaped connector. A high insulation level is obtained for the silicone connectors and dummy plugs. The dummy plugs are very save dielectric seals with potential-controlled semi-conducting coating for external earthing.

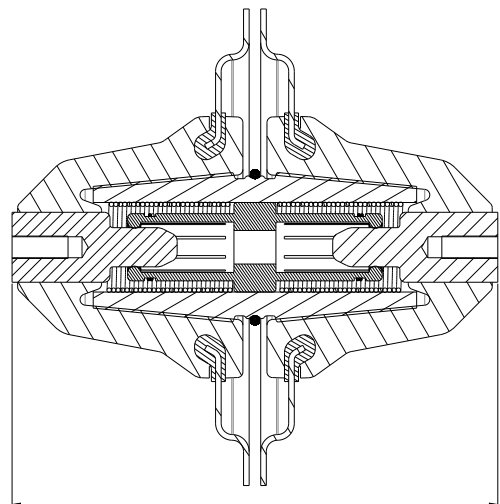
The extension is available on our DR-6 range which has a rated voltage and current up to 24 kV - 630 A. The extensible switchgear is available with 1 to 4 switching units. The functional units can be connected to each other, on both sides of the switchgear, without gas handling. An extension unit can easily and very fast be connected together.

The additional space to add an extra extension unit is only 200 mm plus the width of the extension unit.



DR-6⁽⁺⁾E D with extension.

**“A modular concept
combining all medium
voltage functions ...”**



174 mm

Section view of extension connector.



SGC nv

Moorstraat 24 - 9850 Nevele
Belgium

☎ +32 (0)9/321.91.12

www.switchgearcompany.eu

info@switchgearcompany.eu

SGC - SwitchGear Company nv.

Medium voltage switchgear, built to last.

SGC - SwitchGear Company nv has been supplying reliable products for electrical distribution for more than 35 years. Innovative ideas and environmental care are the driving forces behind SGC - SwitchGear Company nv. The development of complete solutions consists of a minimum number of components, all of which have an exceptional life span. SGC - SwitchGear Company nv stands for exceptional quality and superior customer care. Your desired specifications and deadlines are our main concern. An exclusive factory and highly automated production lines are key factors in our “state of the art” components and systems. It enables us to develop switchgear such as DF-2, DR-6/DT-6, DF-3 ,DI-2, SI-2 and DW-2 to the highest quality standards. When it comes to delivery times, prices and products SGC - SwitchGear Company nv delivers.

THE SPECIALIST IN MEDIUM VOLTAGE SWITCHGEAR